



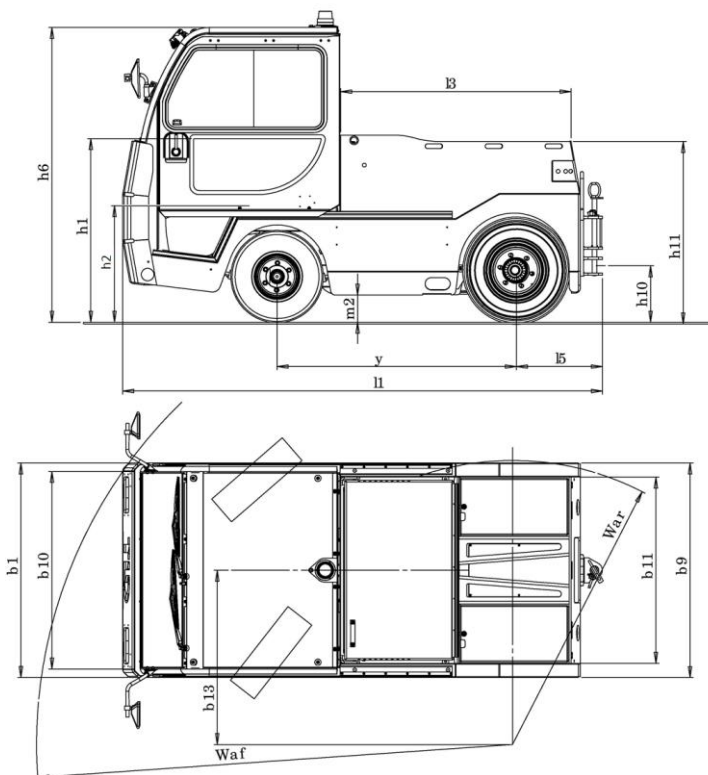
Data Sheet

Baggage Tractor

JET-16

ELECTRIC

HYDROGEN





Technical Specifications

	Version	1.6t	2t
1.1 Manufacturer	-	TLD	
1.2 Type designation	-	JET-16	
1.3 Drive	-	Electric; Hydrogen	
1.4 Operator Type	-	Seated	
1.5 Load capacity	Q(t)	20	25
1.6 Draw bar pull	F(N)	16000	20000
1.7 Wheelbase	y [mm (inch)]	1500 (59")	
2.1 Service weight	Kg (lbs)	3640 (8024)	3900 (8598)
2.2 Axle loading - front	Kg (lbs)	1750 (3858)	1740 (3836)
2.3 Axle loading – rear	Kg (lbs)	1890 (4166)	2160 (4761)
3.1 Tires	-	Pneumatic	
3.2 Tire size – front	-	6.50 R10	
3.3 Tire size – rear	-	7.00 R12	
3.4 Number of wheels	-	4	
4.0 Track - front	b10 [mm (inch)]	1160 (45,7")	
4.1 Track - rear	b11 [mm (inch)]	1160 (45,7")	
4.2 Height of overhead guard	h6 [mm (inch)]	1865 (73,4")	
4.3 Stand height – lowered	h1 [mm (inch)]	1150 (45,3")	
4.4 Seat height	h2 [mm (inch)]	800 (31,5")	
4.5 Coupling height – first level	h10 [mm (inch)]	290 (11,4")	
4.6 Coupling height – second level	-	390 (15,4")	
4.7 Platform height	h11 [mm (inch)]	1160 (45,7")	
4.8 Length of loading surface	l3 [mm (inch)]	1450 (57,1")	
4.9 Overhang	l5 [mm (inch)]	420 (16,5")	
5.0 Width of loading surface	b9 [mm (inch)]	1180 (46,5")	
5.1 Overall length	l1 [mm (inch)]	3100 (122")	
5.2 Overall width	b1 [mm (inch)]	1360 (53,5")	
5.3 Ground clearance	m2 [mm (inch)]	150 (5,9")	
5.4 Turning radius – front	Waf [mm (inch)]	3600 (141,7")	
5.5 Turning radius – rear	War [mm (inch)]	1420 (55,9")	
6.0 Travel speed – laden/unladen(forward)	km/h (mph)	5 (3,1)	25 (15,5)
6.1 Travel speed – backward	km/h (mph)	5 (3,1)	
6.2 Max. gradeability - laden/unladen	%	3,5/15	
6.3 Service brake	-	Dual circuits dry disc brake	
6.4 Parking brake	-	Mechanical parking	
7.0 Battery voltage compatibility	V	80	
7.1 Coupling	-	Tow hitch 2 levels (E type)	
7.2 Noise level at driver seat	dB(A)	49,5	
7.3 Type of suspension (front & rear axle)	-	Leaf spring	
7.4 Electric motor power	kW	13	21,5
7.5 Lithium-ion iBS battery capacity (option)	kWh	22 or 44	
7.6 Lead-Acid battery capacity (option)	kWh	49,6	